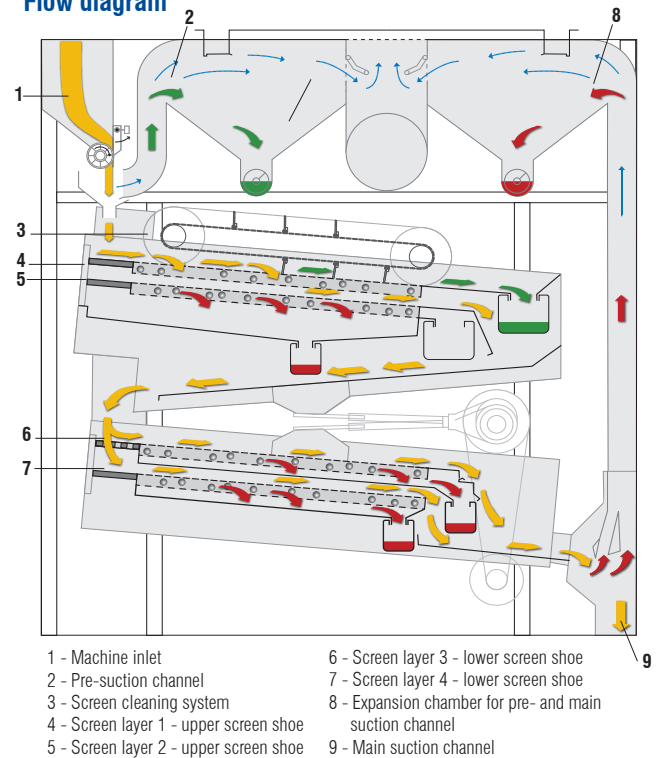




Flow diagram



The purpose of the **PETKUS U-cleaner** is the high-quality cleaning of grain, pulses, oilseeds and other free flowing products. The cleaner can be used for pre-, intensive and seed cleaning. The high standard of cleaning is achieved by a combination of the screening process and the air aspiration system.

Advantages:

- Very high flexibility due to extensive setting options using product diverters and chutes
- High standard of cleaning and quality
- Simple and quick changing for various applications due to the modular design
- Highly effective cleaning of the screen surface by means of a ball cleaning system, and scraper chain, thus achieving a reduction of the overall machine length
- Also suitable for not free flowing products and sections with high debris

Description:

The product to be cleaned is evenly distributed and fed into the cleaner by an inlet hopper. The product is moved from the inlet hopper into the pre-aspiration. Light rejects, husk and dust are separated here. Afterwards, the product is transported into the top screen compartment with the two screen layers. The first screen layer is used for separating the coarse rejects. The second screen layer can either be used for separating coarse or light rejects depending on the desired mode of cleaning. The two screen layers in the bottom screen compartment can be used for separating coarse and light rejects or for calibrating the product by using the product diverters and chutes, depending on the mode of cleaning.

The screened product is moved into the final aspiration. The product is sorted by its bulk density and light rejects such as hollow grains, foreign particles and dust are separated here.

All screens are cleaned with balls which are placed under the screens.

The first screen layer in the top screen compartment is additionally equipped with a scraper chain.

Construction:

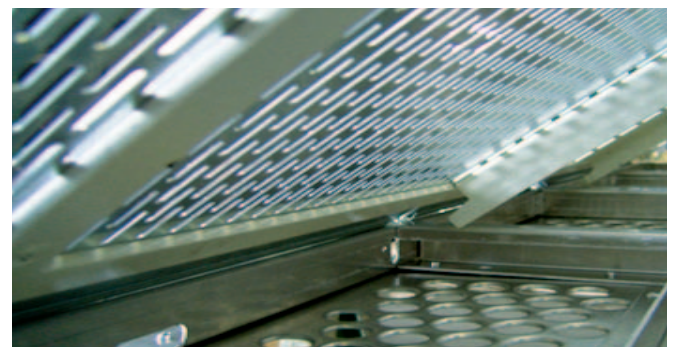
The U-cleaner is equipped with an inlet hopper, one pre-aspiration and one final aspiration with a depositing chamber as well as two screen compartments with two screen layers vibrating in opposite directions. The various components of the machine (inlet hopper, screen compartments, fan etc.) are operated by drive motors.

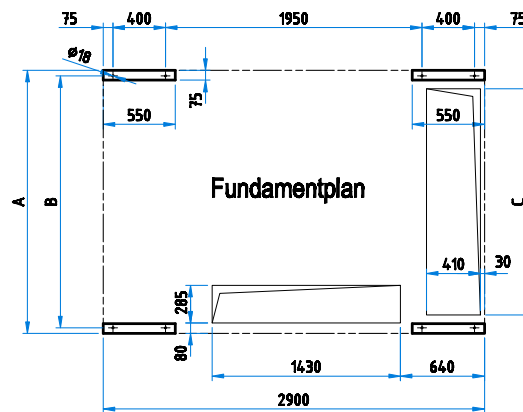
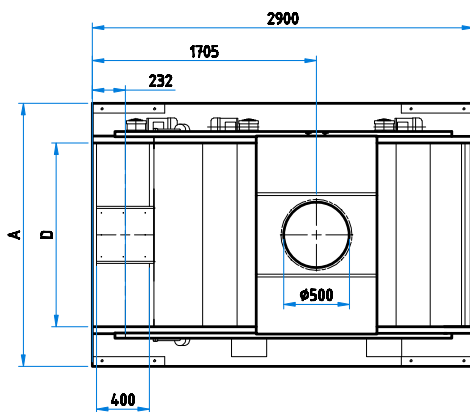
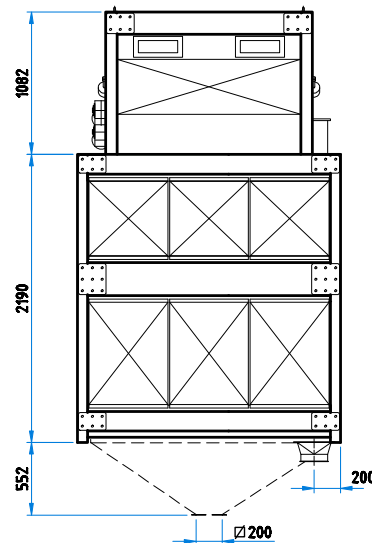
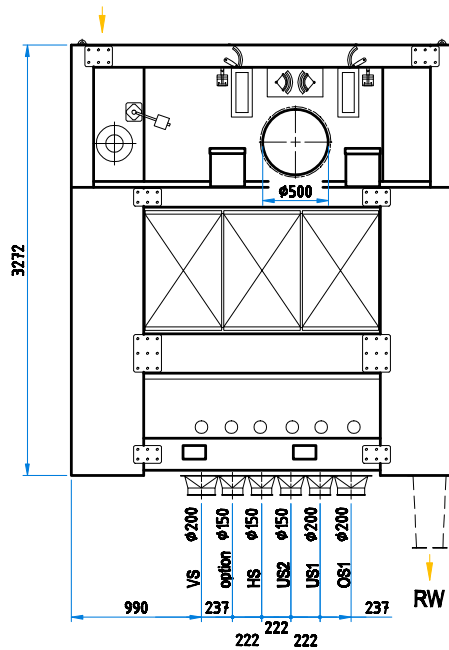
Standard Equipment:

- Bolted housing made of painted sheet steel
- Screen compartments, pre-aspiration and final aspiration made of galvanized sheet steel
- One set of screens for one screening diagram
- Equipment with a scraper chain
- Drive units with gear motors

Options:

- Conversion kits (screens and accessories) for various screening diagrams
- Adaptation to specific customer requirements possible any time





Technical data		U 12	U 15	Technical data		U 12	U 15
Capacity (Basis: Wheat)				No. of screen layers			
Pr-cleaning	t/h	60	80	Upper screen shoe	pcs.	2	2
Seed cleaning	t/h	8	10	Lower screen shoe	pcs.	2	2
Industrial cleaning	t/h	30	40	No. of screen segments			
Drives				Upper screen shoe	pcs.	2 x 8	2 x 10
Fan	kW	11.0-15.0	15.0-18.0	Lower screen shoe	pcs.	2 x 8	2 x 10
Screen shoe	kW	4.0	4.0	Total No. of screen segments	pcs.	32	40
Machine inlet drum	kW	0.37	0.37	Dimensions:			
Discharge screw	kW	2 x 0.37	2 x 0.37	A	mm	1700	2000
Cleaning device upper screen	kW	0.37	0.37	B	mm	1625	1925
				C	mm	1420	1720
Air volume (Wheat)	m ³ /h	9000	12000	D	mm	1090	1390
				Revolution	rpm	320	320
Working width	mm	1200	1500	Load, horizontal (FH)	kN	±0.9	±1.2
				Load, vertical (FV)	kN	7.5±1.5	8.0±1.9
Screen surface	m ²	6.72	8.40	Weight	kg	2400	3300

Technical alteration reserved.